



4 YD STATIONARY COMPACTOR

SPECIFICATIONS

MFG Rating CU/YD	4
Wastec Rating CU/YD	2.76
Clear Top Opening (L" x W")	61.5" x 57.5"
Ram Face (H" x W")	34.5" x 60"
Ground Height	14"
Capacity Per Hour	171

PERFORMANCE

Cycle Time (Seconds)	48
Normal Force lbs.	60,800
Maximum Force lbs.	67,900
Normal Ram Face Pressure PSI	29.4
Maximum Ram Face Pressure PSI	32.8
Ram Penetration	13.5"

HYDRAULIC/ELECTRICAL

Motor HP	20
Control Voltage	120VAC
Pump GPM	18
Normal System Pressure PSI	2,150
Maximum System Pressure PSI	2,400
Cylinder Bore/Rod Diameter	6"/4"
Stroke	78"
Hydraulic Tank-Capacity Gallons	25

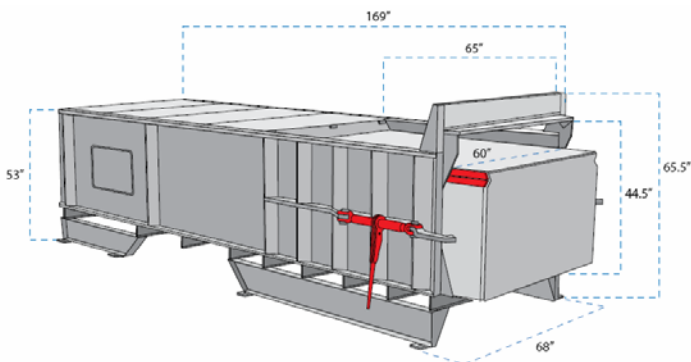
CONSTRUCTION

Charge Box Sides	1/4"
Exterior Vertical/Horizontal Formed V	7 Ga
Charge Box Floor	1/2"
Ram Face	3/4"
Ram Bottom	3/8"
Ram Top	1/4"
Breaker Bar Structural Angle	6" x 8" x 1"
Weight	7,908



MODEL KB - C4

The 4 yard machine is the right choice for those commercial and industrial applications requiring bulky discards such as drums, pallets and crates. The 4 yard can displace over 175 cubic yards of refuse per hour.



KENBAY
PO Box 242
Mendham, NJ 07945
Phone: (973) 543-3200
Toll Free: (888) 353-6229
Fax: (973) 543-7606
www.KENBAY.com