



3 YD STATIONARY COMPACTOR

SPECIFICATIONS

MFG Rating CU/YD	3
Wastec Rating CU/YD	2.38
Clear Top Opening (L" x W")	61.5" x 57.5"
Ram Face (H" x W")	28.5" x 60"
Ground Height	15.5"
Capacity Per Hour	142

PERFORMANCE

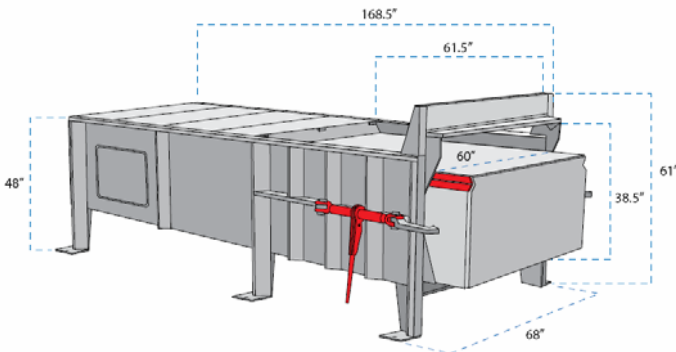
Cycle Time (Seconds)	48
Normal Force lbs.	48,100
Maximum Force lbs.	56,000
Normal Ram Face Pressure PSI	28.1
Maximum Ram Face Pressure PSI	33.1
Ram Penetration	13.5"

HYDRAULIC/ELECTRICAL

Motor HP	15
Control Voltage	120VAC
Pump GPM	18
Normal System Pressure PSI	2,150
Maximum System Pressure PSI	2,400
Cylinder Bore/Rod Diameter	6" / 4"
Stroke	78"
Hydraulic Tank-Capacity Gallons	25

CONSTRUCTION

Charge Box Sides	1/4"
Exterior Vertical/Horizontal Formed V	7 Ga
Charge Box Floor	1/2"
Ram Face	1/2"
Ram Bottom	3/8"
Ram Top	1/4"
Breaker Bar Structural Angle	6" x 8" x 1"
Weight	7,467



Model KB - C3

The 3 yard units are built tough to handle high volume applications efficiently. For heavy commercial and light industrial applications, the 3 yard model is designed for durability with structural reinforcement in the breaker bar charge box areas.

KENBAY
PO Box 242
Mendham, NJ 07945
Phone: (973) 543-3200
Toll Free: (888) 353-6229
Fax: (973) 543-7606
www.KENBAY.com